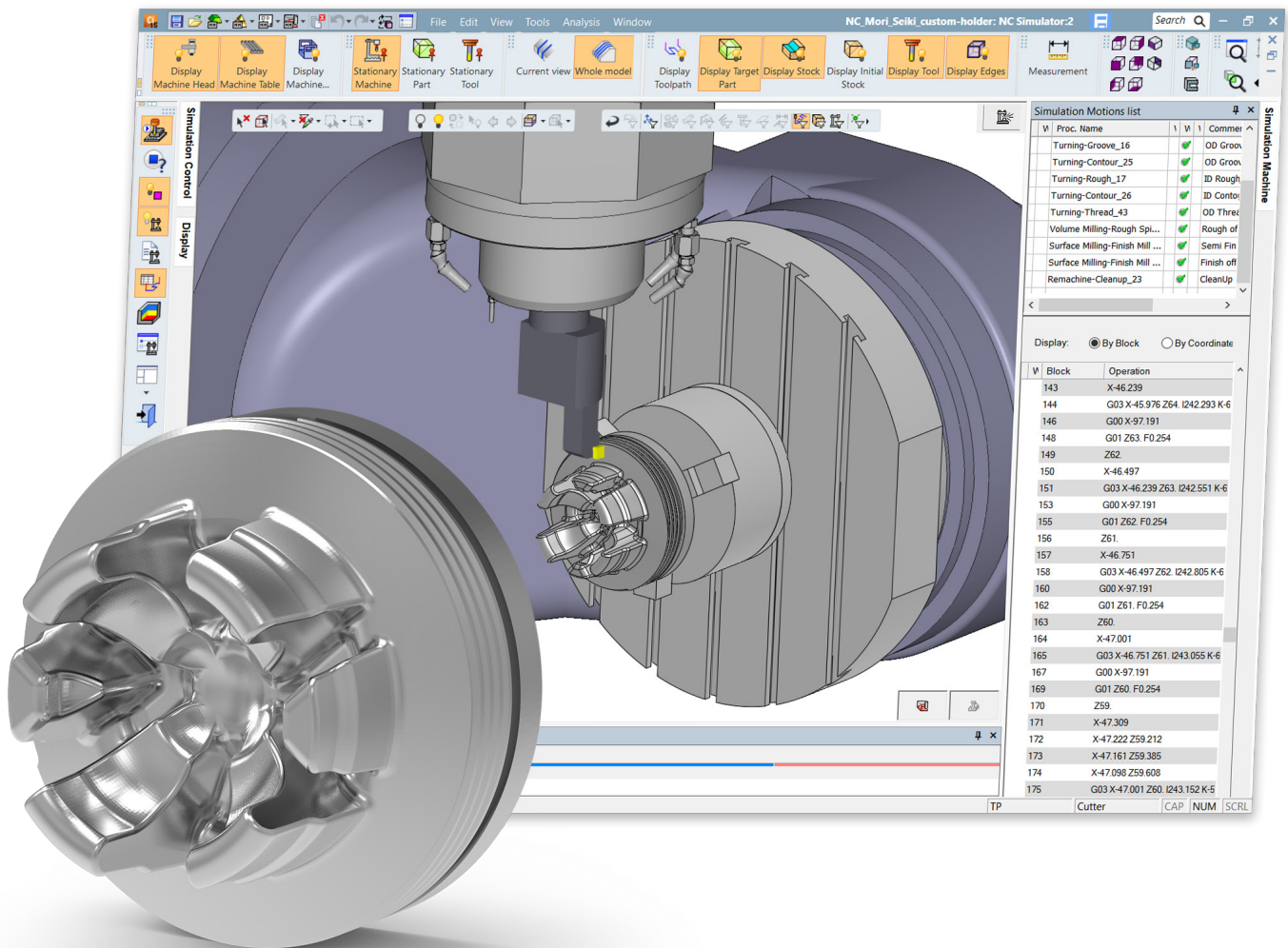


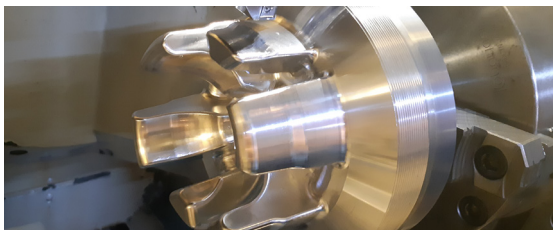


Streamline your
Mill/Turn process



Cimatron Mill/Turn application enables faster machining and better surface quality for tool makers who want to use the familiar and safe environment of Cimatron to program their Mill/Turn and Turning parts.

Turning with Cimatron supports full functionality for roughing, high-performance roughing (using VoluTurn), contouring, threading, grooving, tapping and boring. The application is fully integrated within the Cimatron CAM environment allowing easy programming, machine simulation and post processing of the entire NC process – Milling, Drilling and Turning.



Cut Your Machining Time by Half and Get Even Better Finish Surface Quality

Machine with a Mill/Turn Process

04:42:00 hours



Machine with a Milling only Process

11:02:50 hours

Key Features:

Turning capabilities to support more machines

- Better utilize your Mill/Turn and Turning machines
- Combine turning with advanced 5-Axis milling to get the most out of your machine

Easy creation of turning cutters

- Easily create cutters using key dimensions
- Use a wide variety of predefined common tool shapes
- User-defined form tools and holders

One stock model updated for the entire process

- Revolved stock by contour, bounded cylinder and more
- The stock model is fully updated throughout the entire process, both for turning and milling procedures

Powerful design capabilities for contour creation

- Spun silhouette of the turning body
- All other contour creation options from Cimatron CAD

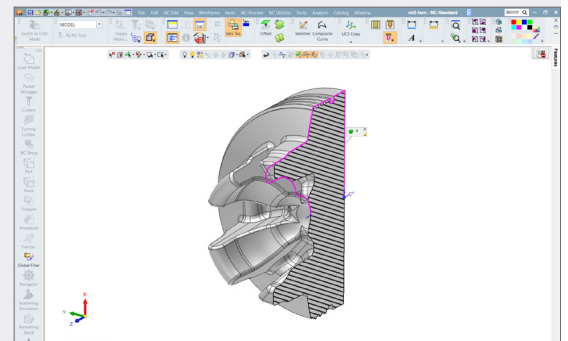
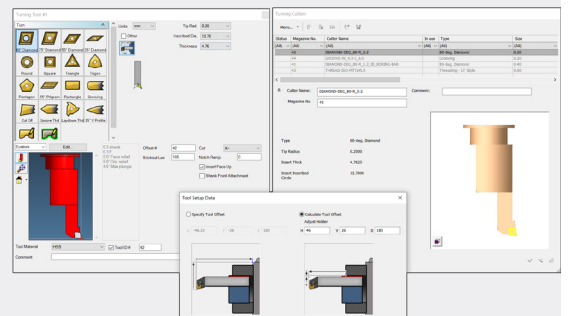
Customizable toolpath creation

- Turning from all directions: outside diameter, inside diameter, front facing and back facing
- Full control over technology: cutting direction, tool orientation, entry and retract mode and more

Turning Strategies

- **Rough** strategies: turn, pattern shift, plunge etc.
- **VoluTurn** for high-speed roughing using round insert
- **Contour** for finishing operations
- **Drilling, Grooving and Threading**

Machine with confidence using Cimatron's machine simulation for the entire process - milling, drilling and turning.



3D Systems provides comprehensive 3D products and services, including 3D printers, print materials, on-demand parts services and digital design tools. Its ecosystem supports advanced applications from the product design shop to the factory floor to the operating room. As the originator of 3D printing and a shaper of future 3D solutions, 3D Systems has spent its 30 year history enabling professionals and companies to optimize their designs, transform their workflows, bring innovative products to market and drive new business models. Specifications subject to change without notice. 3D Systems, the 3D Systems logo, Cimatron are trademarks of 3D Systems, Inc. All other trademarks are the property of their respective owners.